

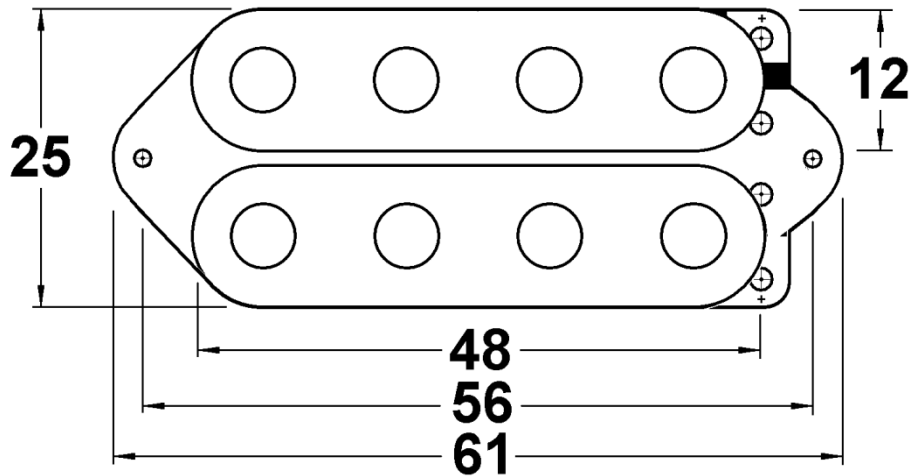
Almuse Technical Information

Contents

- 1) – 4 string Humbuckers.
- 2) – 5 string Humbuckers.
- 3) – Fender replacements.
- 4) – Givson Urbashi upgrade.
- 5) – Eastwood Mandocaster upgrade.
- 6) – Almuse MandoStrat S5.
- 7) – Almuse MandoTele T4.
- 8) – Almuse MandoTele T5.
- 9) – Almuse Retro4 & 5.
- 10) – Almuse S4
- 11) – Wiring Diagrams.

Almuse Pickup Specification Sheet

Model ***4-HC



Description - Open coil humbucker. MG4HC coils varnished.

Drawing dimensions apply to the "Moongazer" MG4, "Classic" and "Aggressor" 4 pole pickups.

Pole Piece Spacing - 11mm (MG4HC), all others 11mm (neck) and 12mm (bridge).

Conductors - 2 wire (Classic), all others 4 wire. Colour coding same as Seymour Duncans.

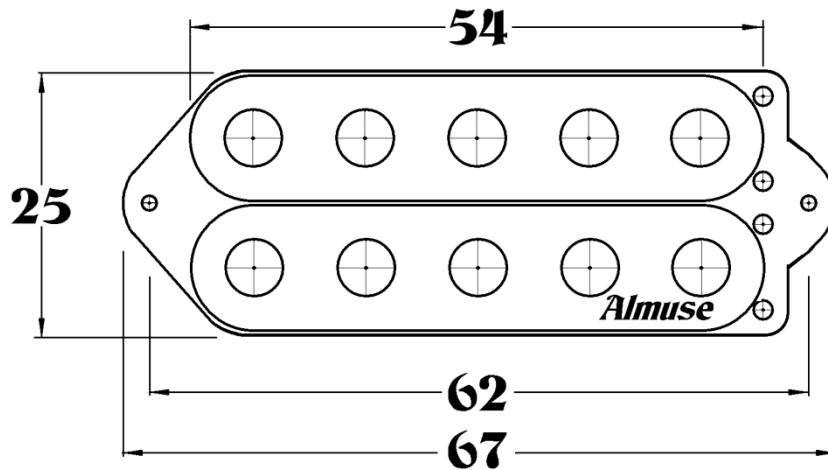
Depth - 18mm (MG4HC & Classics), 20mm (Aggressor)

Available Colours - Black, White, Cream, Zebra

Almuse
3 Albion Road
Grantham
Lincs NG31 8BJ
U.K.
e-mail pete@almuse.co.uk

Almuse Pickup Specification Sheet

Model ***5-HC



Description - Open coil humbucker. MG5HC coils varnished.

Drawing dimensions apply to the "Moongazer" MG5, "Classic" and "Aggressor" 5 pole pickups.

Pole Piece Spacing - 10.5mm

Conductors - 2 wire (Classic), all others 4 wire. Colour coding same as Seymour Duncans.

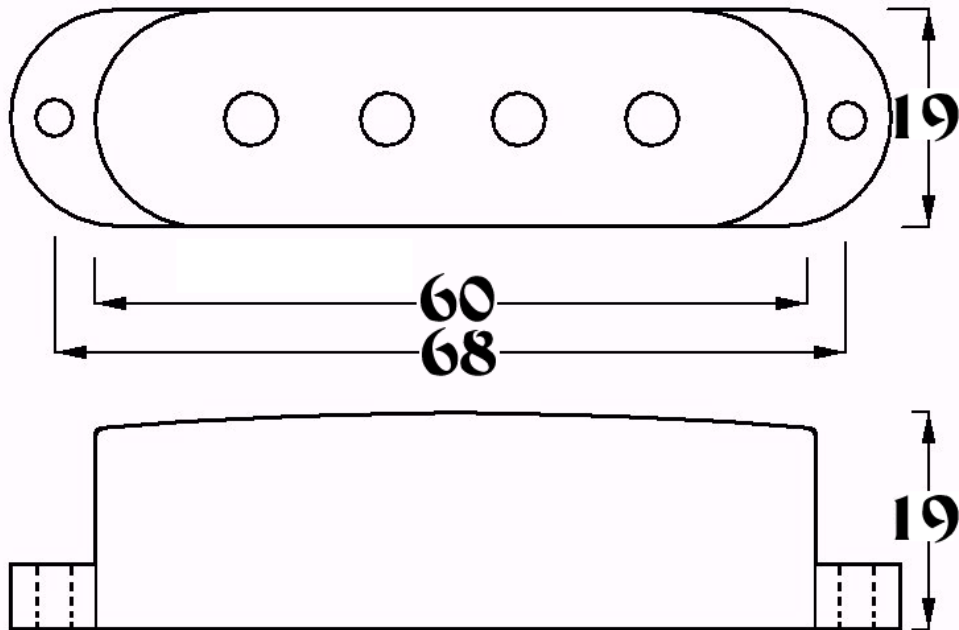
Depth - 18mm (MG5HC & Classics), 20mm (Aggressor)

Available Colours - Black, White, Cream, Zebra

Almuse
3 Albion Road
Grantham
Lincs NG31 8BJ
U.K.
e-mail pete@almuse.co.uk

Almuse Pickup Specification Sheet

Model FM61L & FMC4



Description - Single coil, resin potted.

Replacement for Fender electric mandolins.

Nominal D.C. Resistance – 5.6kOhms (FM61L) - 8.2kOhms (FMC4)

Magnet Type - Neodymium small (FM61L) – large (FMC4)

Pole Piece Spacing - 11mm.

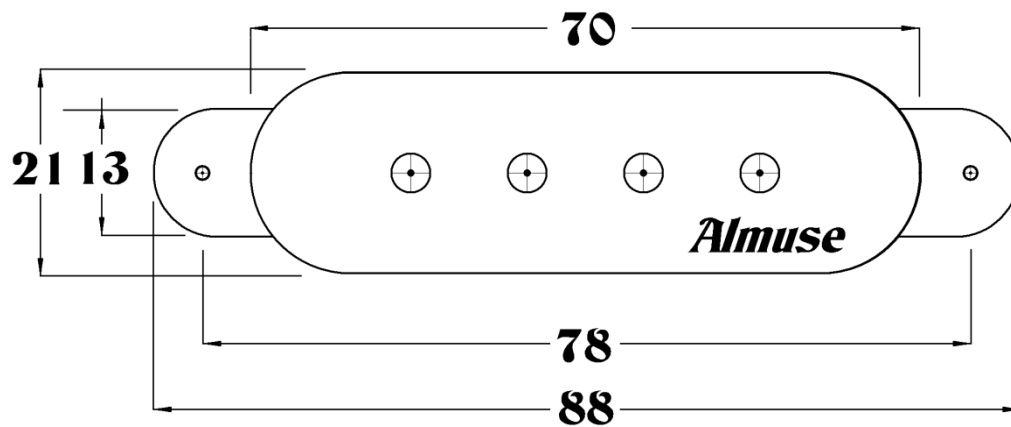
Depth - 19mm

Available Colours - Black, White, Cream.

Almuse
3 Albion Road
Grantham
Lincs NG31 8BJ
U.K.
e-mail pete@almuse.co.uk

Almuse Pickup Specification Sheet

Model GU8



Description - Single coil, resin potted.
Replacement for Givson Urbashi mandolin.

Nominal D.C. Resistance - 6.5kOhms.

Magnet Type - Neodymium (large)

Pole Piece Spacing - 12mm.

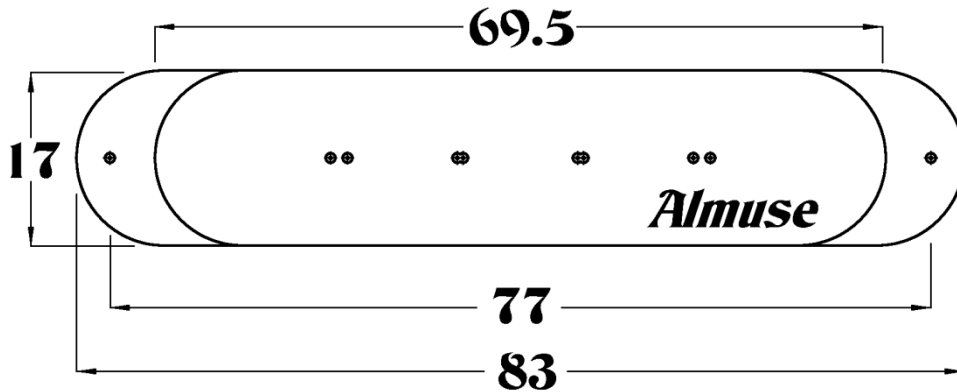
Depth - 20mm

Available Colours - Black, White, Cream.

Almuse
3 Albion Road
Grantham
Lincs NG31 8BJ
U.K.
e-mail pete@almuse.co.uk

Almuse Pickup Specification Sheet

Model MC8



Description - Single coil, resin potted.

Replacement for Eastwood, Alden, Clearwater and Harley Benton Mandocasters.

Nominal D.C. Resistance – 6.2kOhms (bridge) 5.5kOhms (neck).

Magnet Type - Neodymium (large)

Pole Piece Spacing - 12mm (bridge) 11mm (neck).

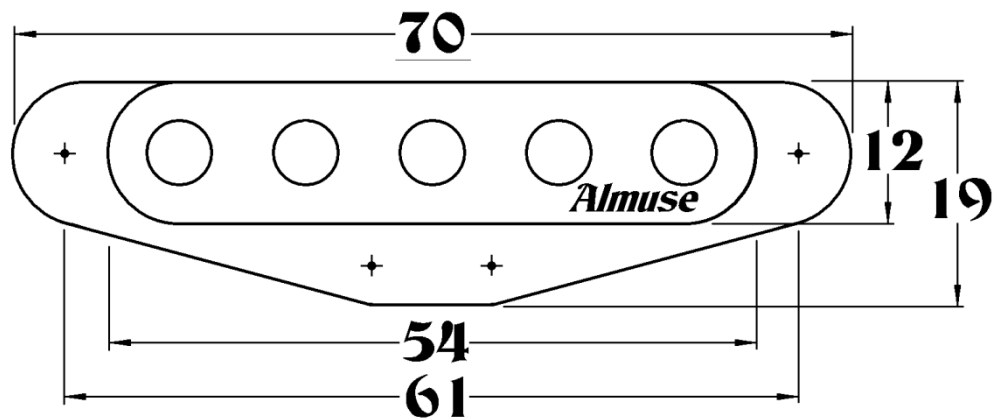
Depth - 20mm

Available Colours - Black, White, Cream.

Almuse
3 Albion Road
Grantham
Lincs NG31 8BJ
U.K.
e-mail pete@almuse.co.uk

Almuse Pickup Specification Sheet

Model MandoStrat S5



Description - Single coil, resin potted.

Compact 5 pole pickup originally designed for Almuse MandoStrats. The S5M mid position pickup is reverse wound / reverse polarity.

Nominal D.C. Resistance – 5.9kOhms (S5N) – 6.2kOhms (S5M) – 6.5kOhms (S5B.)

Magnet Type - Neodymium large.

Pole Piece Spacing – 10.5mm.

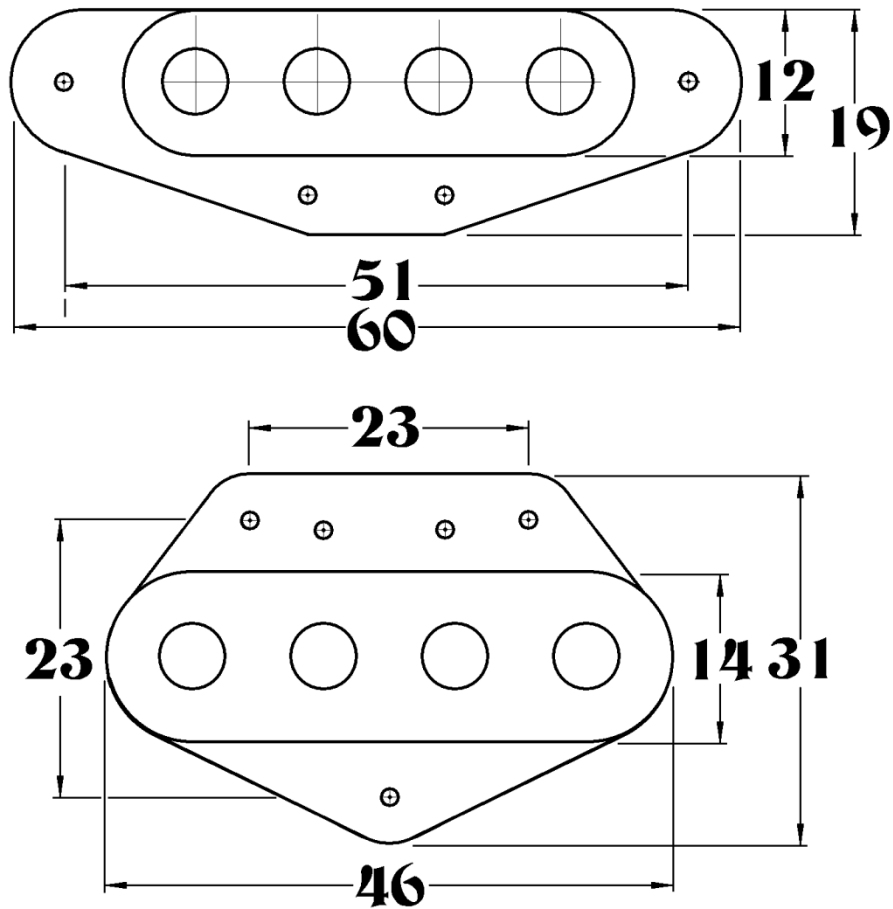
Depth - 18mm

Available Colours - Black, White, Cream.

Almuse
3 Albion Road
Grantham
Lincs NG31 8BJ
U.K.
e-mail pete@almuse.co.uk

Almuse Pickup Specification Sheet

Model T4



Description - Open single coil pickup.

Typically used on 4 string Mandocaster type instruments – the polarity and windings are reversed on the neck pickup for hum cancelling in mid position.

Nominal D.C. Resistance – 5.6kOhms (bridge) 5.3kOhms (neck).

Magnet Type - Neodymium (large)

Pole Piece Spacing – 10.8mm (bridge) 10mm (neck).

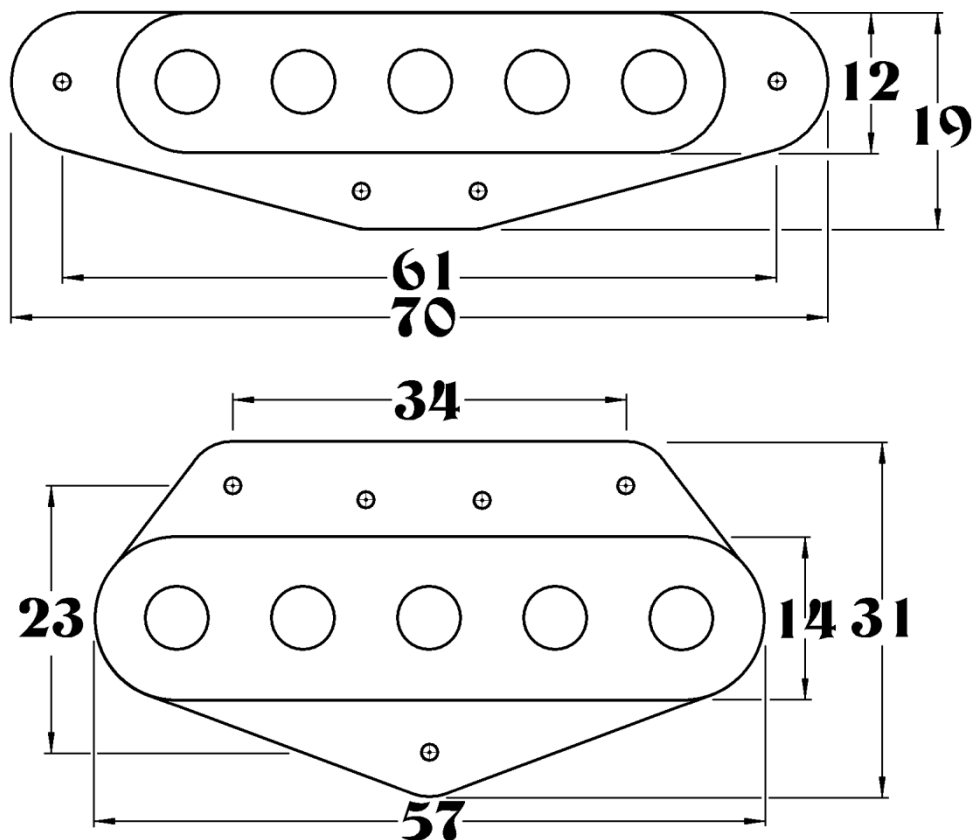
Depth - 20mm

Available Colours - Black, White, Cream.

Almuse
3 Albion Road
Grantham
Lincs NG31 8BJ
U.K.
e-mail pete@almuse.co.uk

Almuse Pickup Specification Sheet

Model T5



Description - Open single coil pickup.

Typically used on 5 string Mandocaster type instruments – the polarity and windings are reversed on the neck pickup for hum cancelling in mid position.

Nominal D.C. Resistance – 6.3kOhms (bridge) 5.7kOhms (neck).

Magnet Type - Neodymium (large)

Pole Piece Spacing – 10.8mm (bridge) 10mm (neck).

Depth - 20mm

Available Colours - Black, White, Cream.

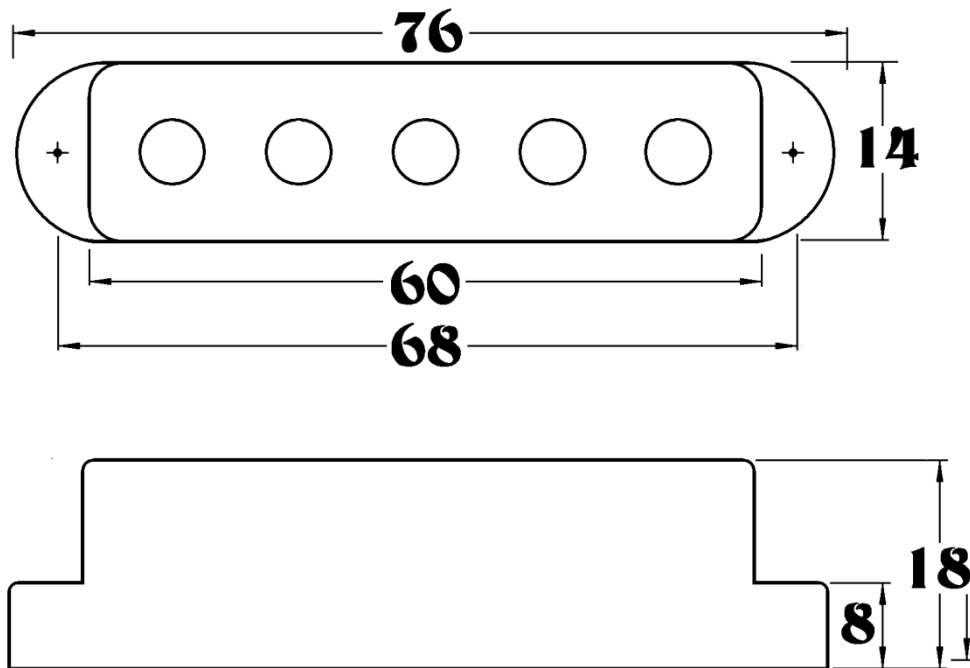
Almuse
3 Albion Road
Grantham
Lincs NG31 8BJ

U.K.

e-mail pete@almuse.co.uk

Almuse Pickup Specification Sheet

Model Retro



Description - Single coil, resin potted.

Nominal D.C. Resistance – 5.5 – 6.2 kOhms.

Magnet Type - Neodymium (small)

Pole Piece Spacing

Retro5 – 10mm (neck), 11mm (bridge)

Retro4 – 10mm, 11mm, 12mm

Depth - 18mm

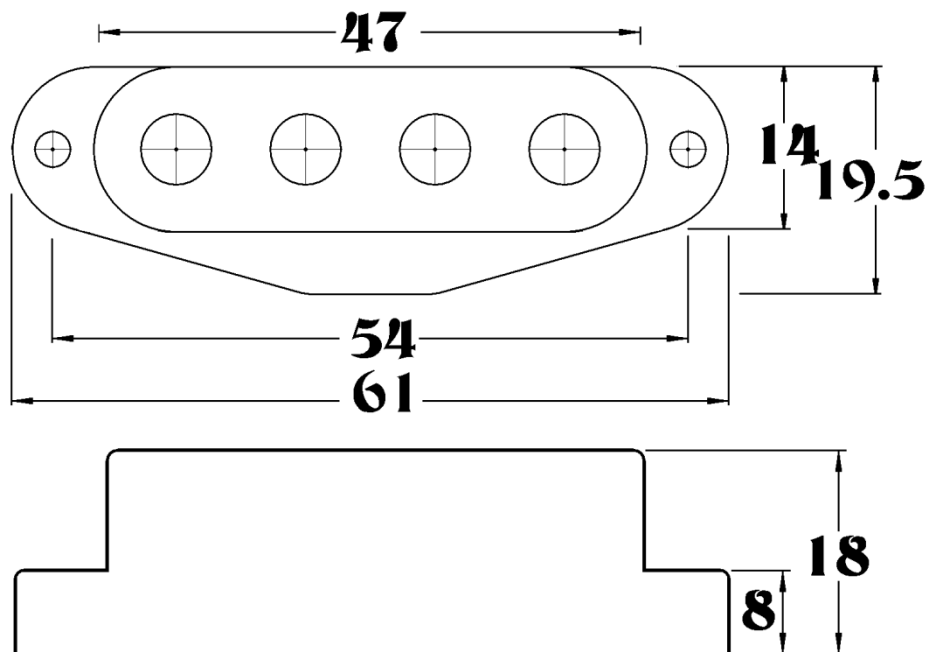
Retro4 dimensions, 68mm overall.

Available Colours - Black, White, Ivory

Almuse
3 Albion Road
Grantham
Lincs NG31 8BJ
U.K.
e-mail pete@almuse.co.uk

Almuse Pickup Specification Sheet

Model S4



Description - Single coil, resin potted.

Nominal D.C. Resistance – 5.8 kOhms.

Magnet Type - Neodymium (small)

Pole Piece Spacing - 11mm

Depth - 18mm

Available in Standard (clockwise/south) & Reverse (cc/north).

Available Colours - Black, White, Ivory

Almuse
3 Albion Road
Grantham
Lincs NG31 8BJ
U.K.
e-mail pete@almuse.co.uk

Wiring Diagrams for Almuse Pickups

